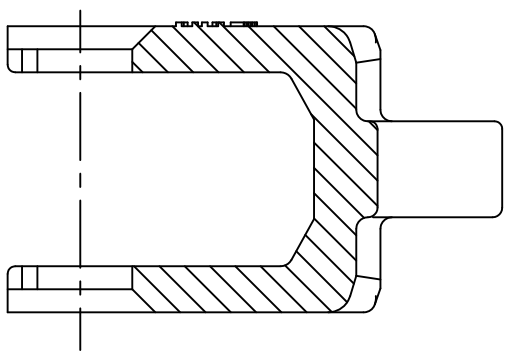
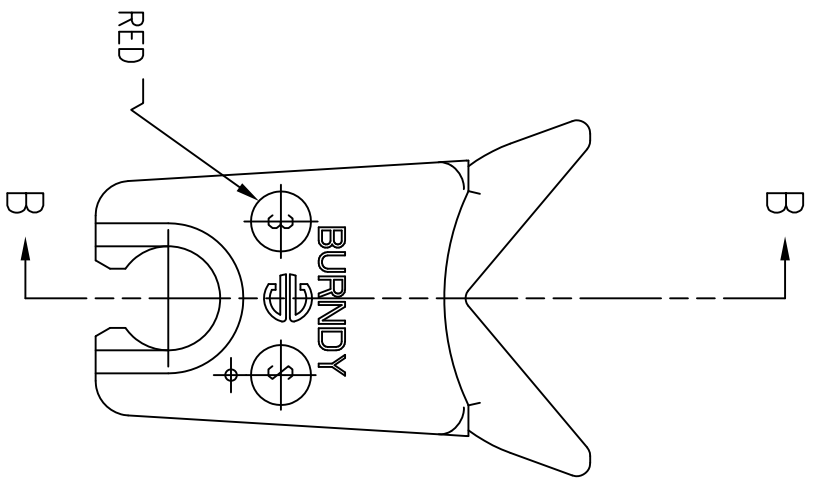
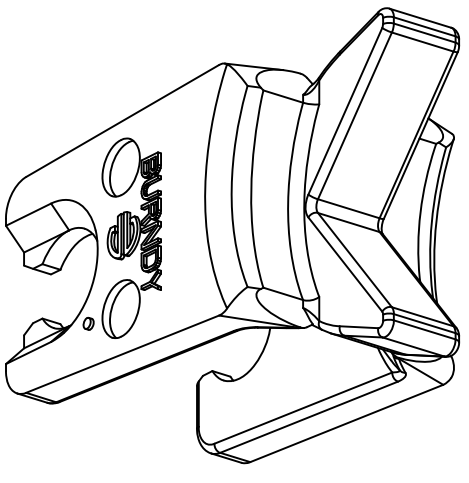
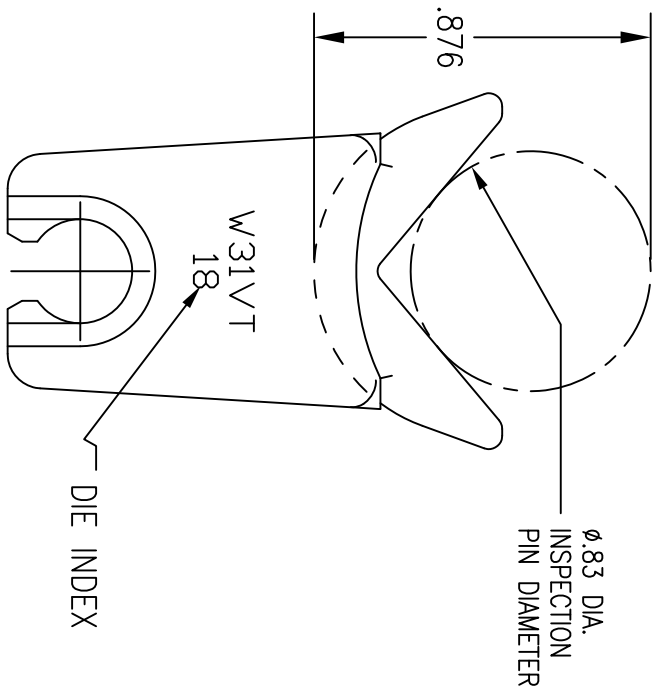


CATALOG NUMBER	DESCRIPTION
HW31VT	350KCM, DIX 18



SECTION B-B



- NOTES:
1. KIT CONTAINS ONE DIE SET.
 2. MATERIAL : STAINLESS STEEL.
 3. SPECIFICATIONS SUBJECT TO CHANGE WITHOUT NOTICE.

Created on AUTOCAD		DIMENSIONING AND TOLERANCE PER ANSI Y14.5M-1982 UNLESS OTHERWISE SPECIFIED, DIMENSIONS ARE IN INCHES (MM). TOLERANCES .XX = ±.01 (.25) .XXX = ±.005 (.127) .XXXX = ±.0025 (.0635) ANGLE TOL ±1°		PROJECT REFERENCE: 2011-041		HUBBELL Hubbell Premise Wiring HUBBELL INCORPORATED (Delaware) 23 CLARA DRIVE, SUITE 103 MYSTIC, CT 06355	
IN ACCEPTING OUR DRAWINGS, BLUPRINTS, OR SUPPORTING DOCUMENTATION FOR QUOTATION OR OTHER PURPOSES, YOU AGREE NOT TO DISCLOSE TO OTHERS THE IDEAS, INFORMATION, OR DESIGNS SHOWN HEREIN, AND THAT YOU WILL MAKE NO USE OF SAME WITHOUT PERMISSION		MATERIAL: SEE NOTES		DRAWN BY: M. ABBY 01/22/13		TITLE: DIE SET, 350KCM, CU, DIX 18 W DIE SET FAMILY	
REV. 1		ECN 18075		DATE 01/25/13		INITIAL RELEASE	
REV.		ECN		DATE		DESCRIPTION	
CHG BY		MMA		APPD BY			
SCALE: N/A		DRAWING NO. HW314225C		SHEET 1 OF 1		REV. 1	